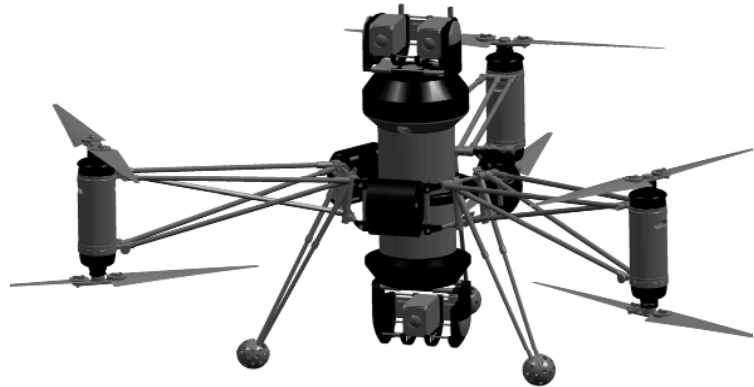




Datasheet

AirRobot AR150

Lenght:	67 inches
Width:	67 inches
Gross Take off Weight:	12 lbs
Max Airspeed:	45 mph
Max Wind Load:	35 mph
Endurance:	< 45 min
Range:	Up to 3000 ft LOS
Propulsion:	Electrical, 6 engines in pairs on 3 arms moters, coaxial rotor system
Communication:	Digital command control radio uplink. Digital radio video / data downlink for real time full motion video and seperate data transmission



Flight management:

- Automatic attitude control
- Automatic direction control / heading
- Auto landing when battery is exhausted
- Auto home and auto landing on lost link
- Vertical take-off and landing
- Hover and stare with hands off functionality
- Spherical radar sensor system enabling fully autonomous collision avoidance
- 3 Payload slots on top face and lower side
- Payload on the 2 levels:
Unlimited field of view; 360 pan, 135 degree up and down for any payload
- Automatic altitude control
- Automatic positioning via GPS and radar
- GPS-Waypoint-Navigation (optional)
- Auto home with selectable home point
- Freely definable virtual flying range (GPS cage)
- Sensor supported control of operating altitude
- Electrical propulsion for virtually silent operation
- Remote observing operation capability
- Deployment < 3.0 min
- Modular payload concept

Payloads: Daylight Camera, Dawn / low light Camera, IR-Camera (infrared), 10-MP Still Camera with 10x-Zoom, Video, HD-Videocamera, Gas Sensors, Laser Rangefinders